

---

# LED Shoe Box light/ Parking Lot light

## PL670-W200/ PL670-W300



---

### I . Application :

Parking Lot lighting, wall lighting area, street lighting.etc.

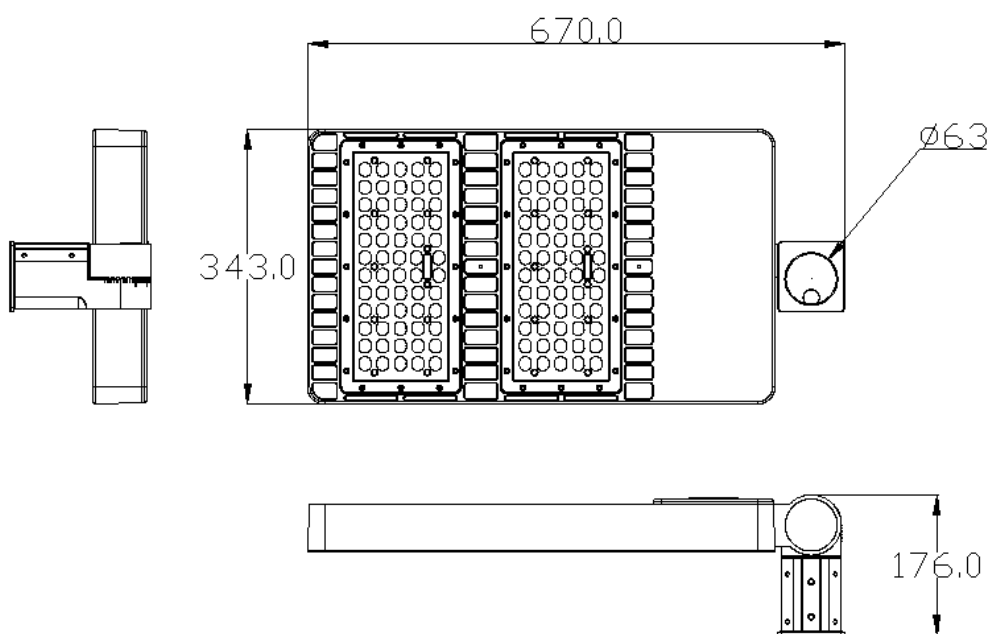
---

### II . Features:

- 1 Module lens design makes the lamp own well suited lighting distributing for LED parking lot lighting.
  - 2 Hollow out heat sink design makes the lamp lighter and better at heat dissipation.
  - 3 Installation angle  $-90\sim+90^{\circ}$  adjustable.
  - 4 Beautiful appearance, using Cree/Philips/Samsung LED chips and Mean well driver.
  - 5 IP65.
  - 6 Multifarious mounting brackets and beam angles are available.
-

### III. Picture/ Product Size/ Technical Parameter:

#### PL670-W200/ PL670-W300 Type A



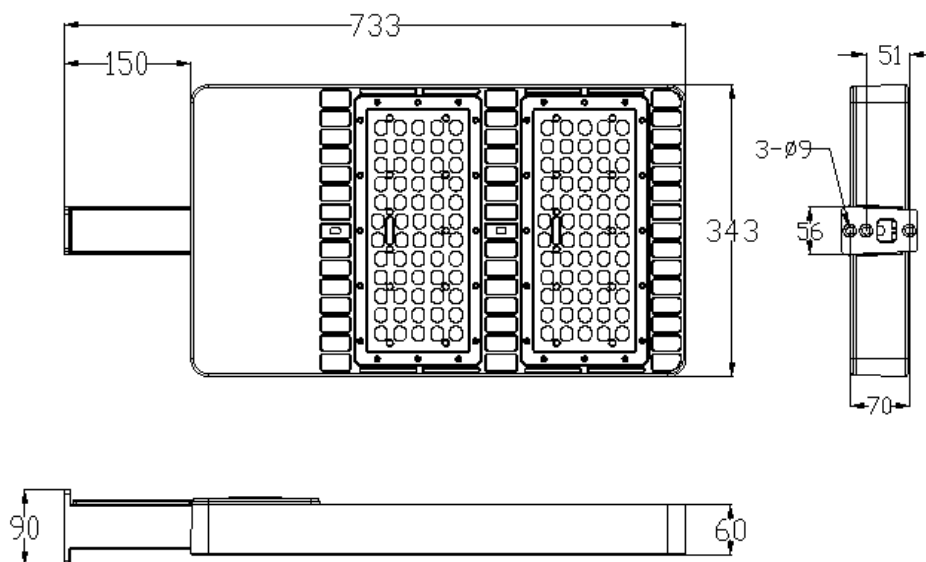
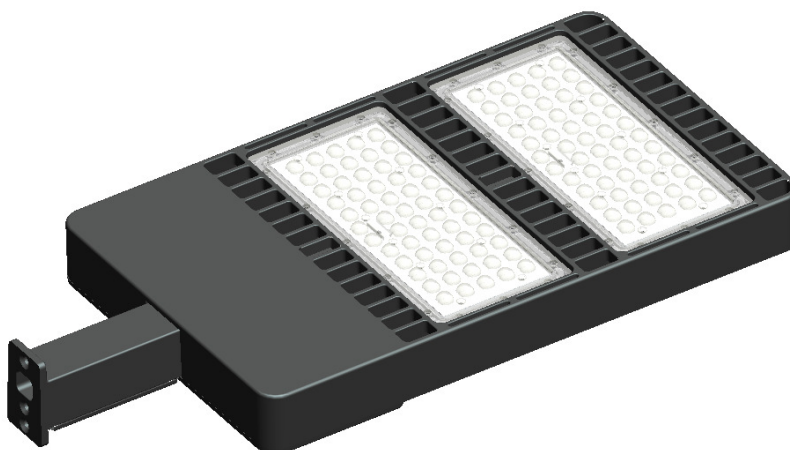
Model	CCT	CRI	Lumious Flux	System Power	Product Size (MM)	Package Size (MM)	Quantity of LED chip	N.G.	W.G.
PL670-W200-A	3000-7000K	≥70	20000±600 LM	200±5W	670*343*176	820*400*180	96 pcs	10 KG	11.3 KG
PL670-W300-A	3000-7000K	≥70	30000±600 LM	300±5W	670*343*176	820*400*180	120 pcs	10 KG	11.3 KG

Input Voltage: AC 90V~305V

Efficiency of power supply >0.9

Storage Temperature: - 40 ~ 50°C

## PL670-W200/ PL670-W300 Type B



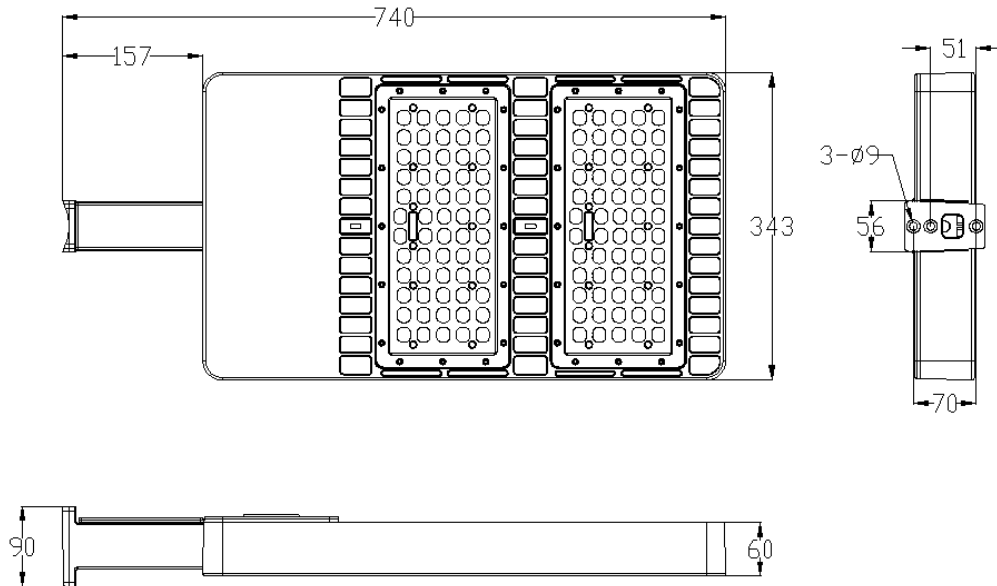
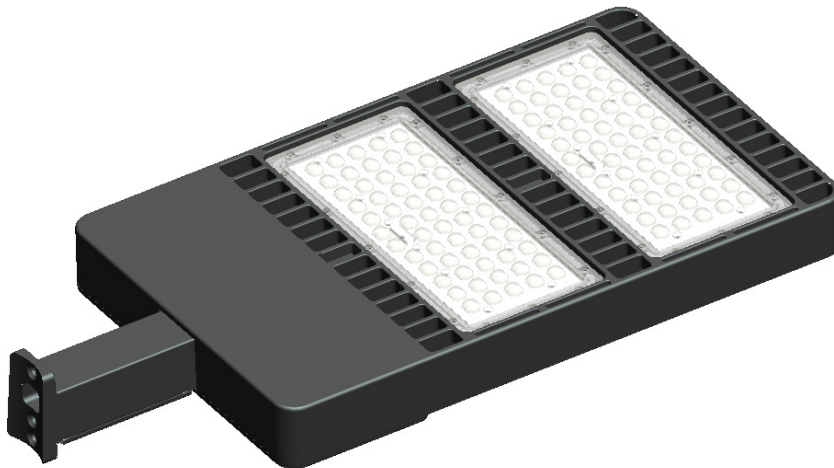
Model	CCT	CRI	Lumious Flux	System Power	Product Size (MM)	Package Size (MM)	Quantity of LED chip	N.G.	W.G.
PL670-W200-B	3000-7000K	≥70	20000±600 LM	200±5W	733*343*90	820*400*180	96 pcs	10 KG	11.3 KG
PL670-W300-B	3000-7000K	≥70	30000±600 LM	300±5W	733*343*90	820*400*180	120 pcs	10 KG	11.3 KG

Input Voltage: AC 90V~305V

Efficiency of power supply>0.9

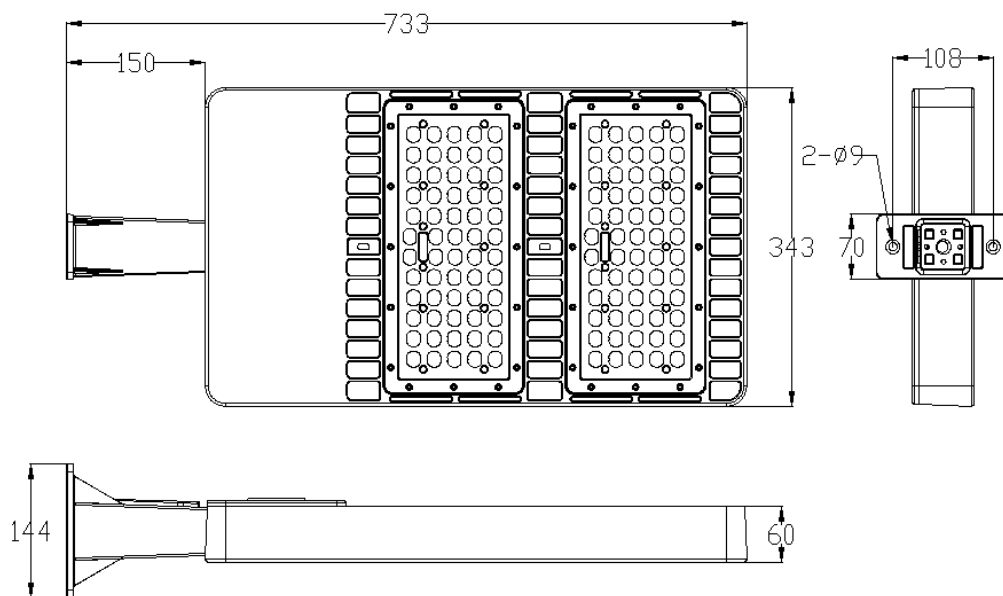
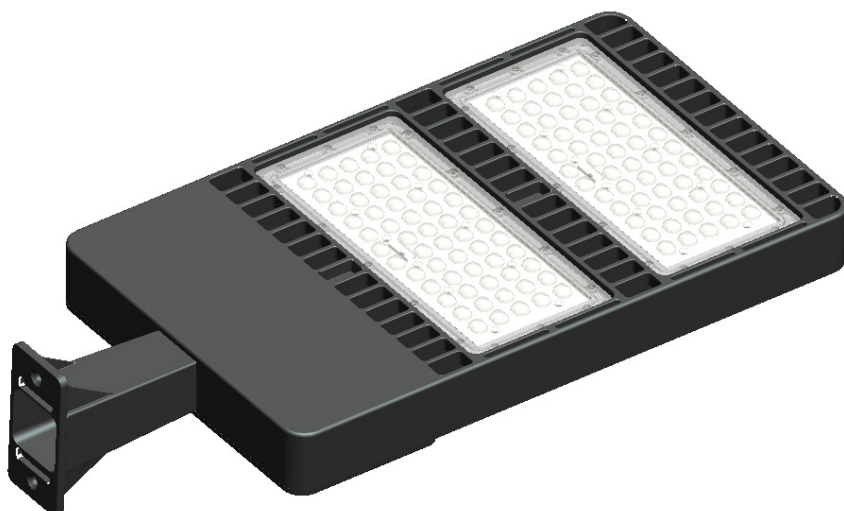
Storage Temperature: - 40 ~ 50°C

**PL670-W200/ PL670-W300 Type C**



Model	CCT	CRI	Lumious Flux	System Power	Product Size (MM)	Package Size (MM)	Quantity of LED chip	N.G.	W.G.
PL670-W200-C	3000-7000K	≥70	20000±600 LM	200±5W	740*343*90	820*400*180	96 pcs	9.6 KG	10.9 KG
PL670-W300-C	3000-7000K	≥70	30000±600 LM	300±5W	740*343*90	820*400*180	120 pcs	9.6 KG	10.9 KG
Input Voltage: AC 90V~305V									
Efficiency of power supply>0.9									
Storage Temperature: -40 ~ 50°C									

**PL670-W200/ PL670-W300 Type D**



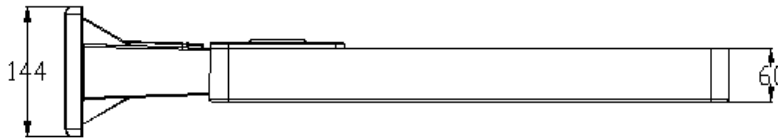
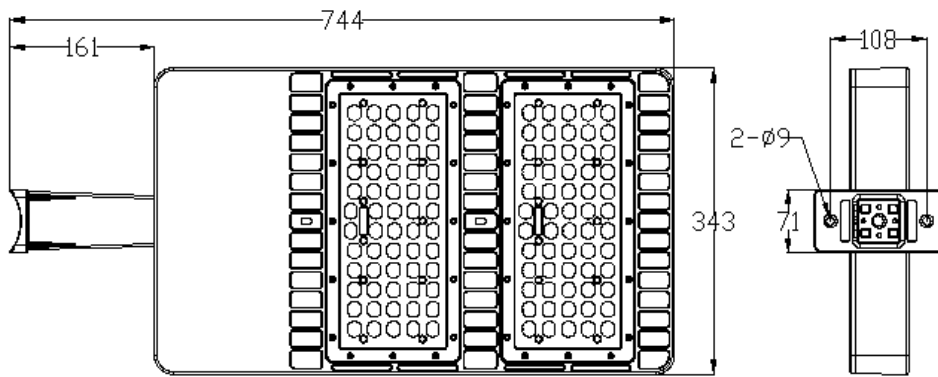
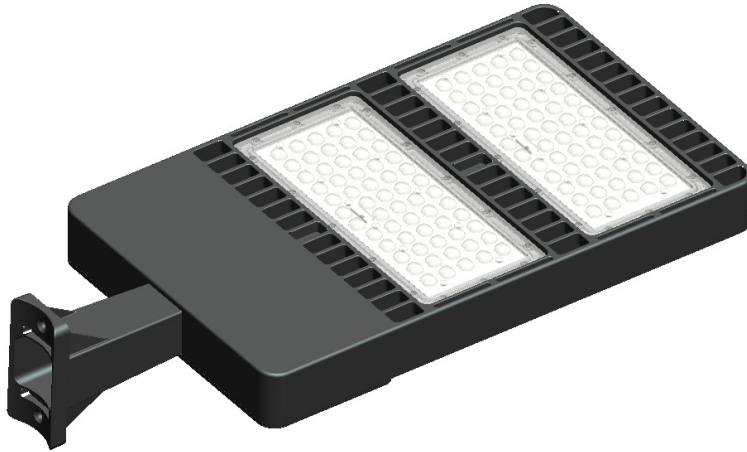
Model	CCT	CRI	Lumious Flux	System Power	Product Size (MM)	Package Size (MM)	Quantity of LED chip	N.G.	W.G.
PL670-W200-D	3000-7000K	≥70	20000±600 LM	200±5W	733*343*176	820*400*180	96 pcs	10 KG	11.3 KG
PL670-W300-D	3000-7000K	≥70	30000±600 LM	300±5W	733*343*176	820*400*180	120 pcs	10 KG	11.3 KG

Input Voltage: AC 90V~305V

Efficiency of power supply >0.9

Storage Temperature: - 40 ~ 50°C

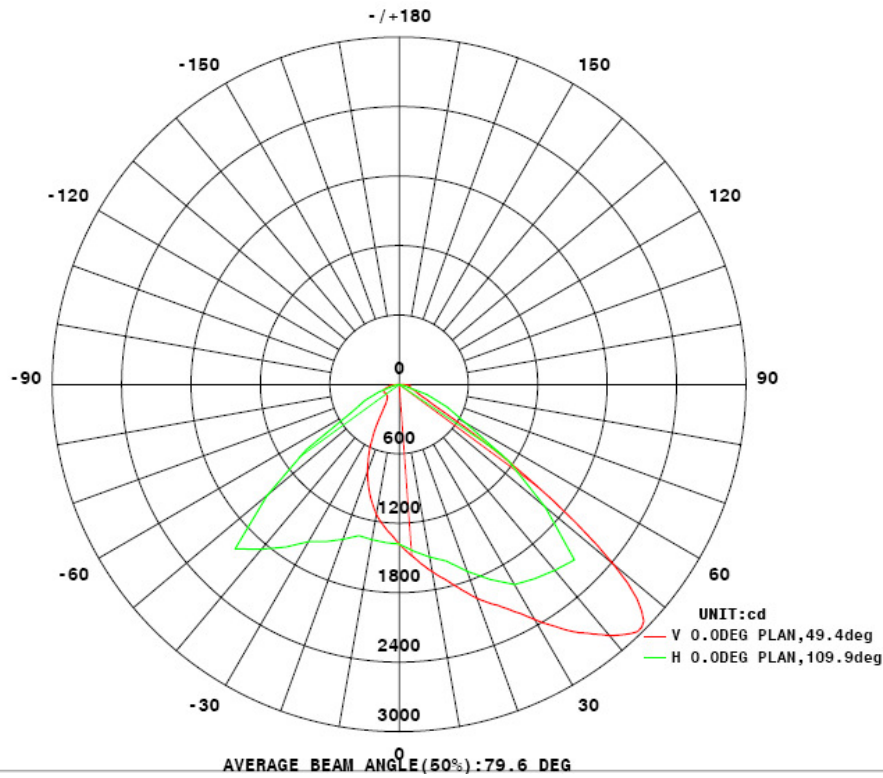
**PL670-W200/ PL670-W300 Type E**



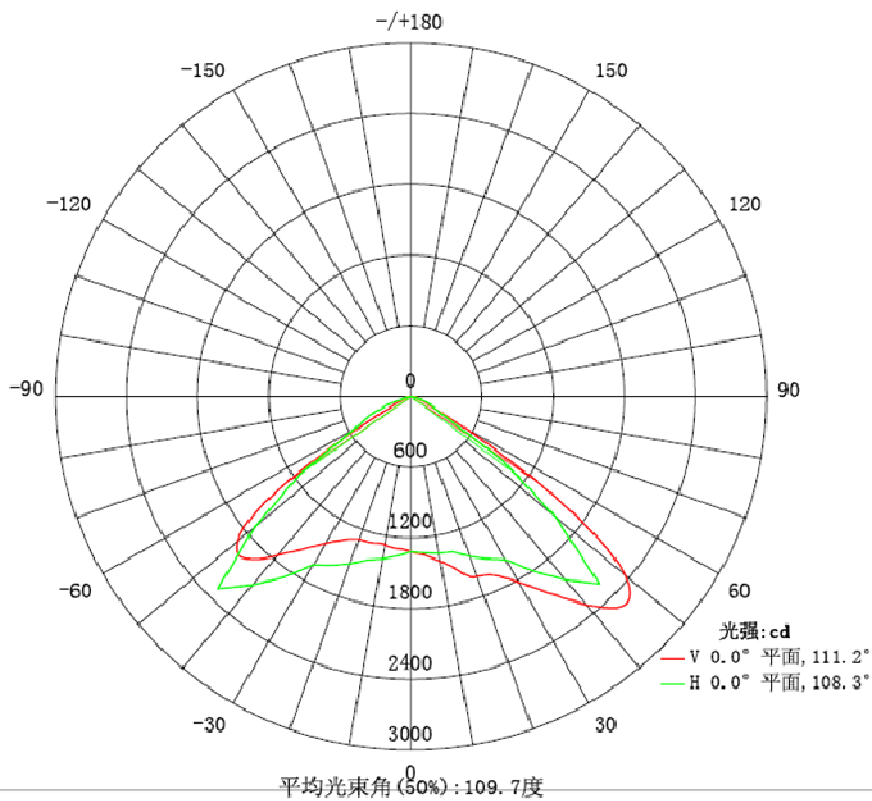
Model	CCT	CRI	Lumious Flux	System Power	Product Size (MM)	Package Size (MM)	Quantity of LED chip	N.G.	W.G.
PL670-W200-E	3000-7000K	≥70	20000±600 LM	200±5W	744*343*176	820*400*180	96 pcs	10 KG	11.3 KG
PL670-W300-E	3000-7000K	≥70	30000±600 LM	300±5W	744*343*176	820*400*180	120 pcs	10 KG	11.3 KG
Input Voltage: AC 90V~305V									
Efficiency of power supply>0.9									
Storage Temperature: - 40 ~ 50°C									

## IV. Optical data:

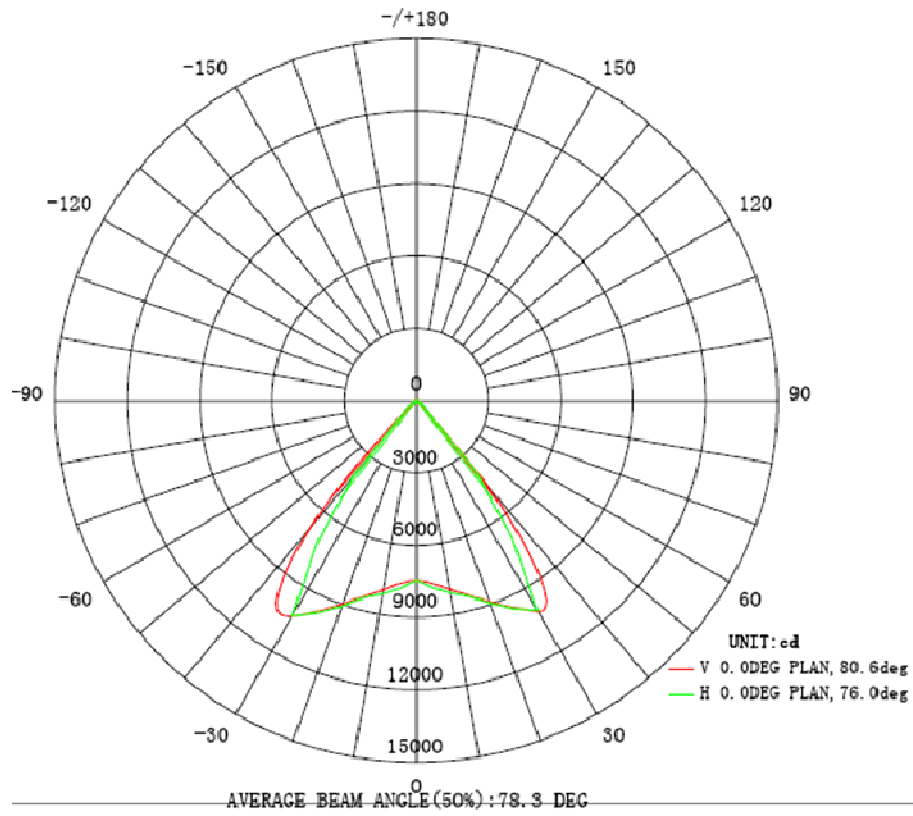
### W1 90\*120DEG.



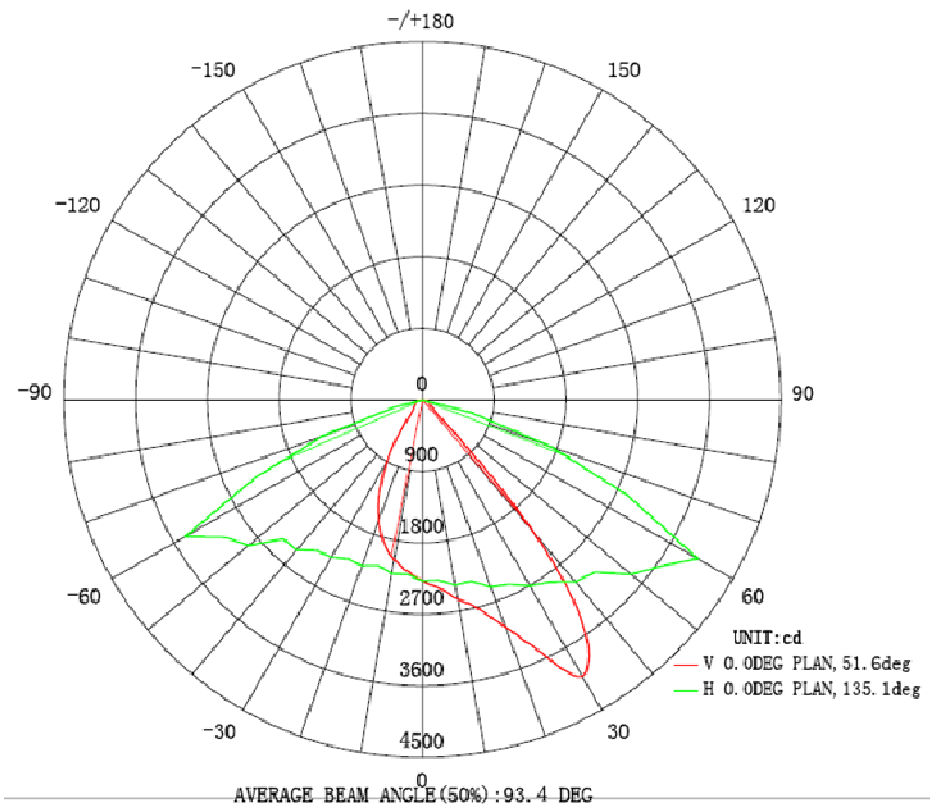
### W2 120DEG.



### W3 90DEG.



### W4 85\*135DEG.

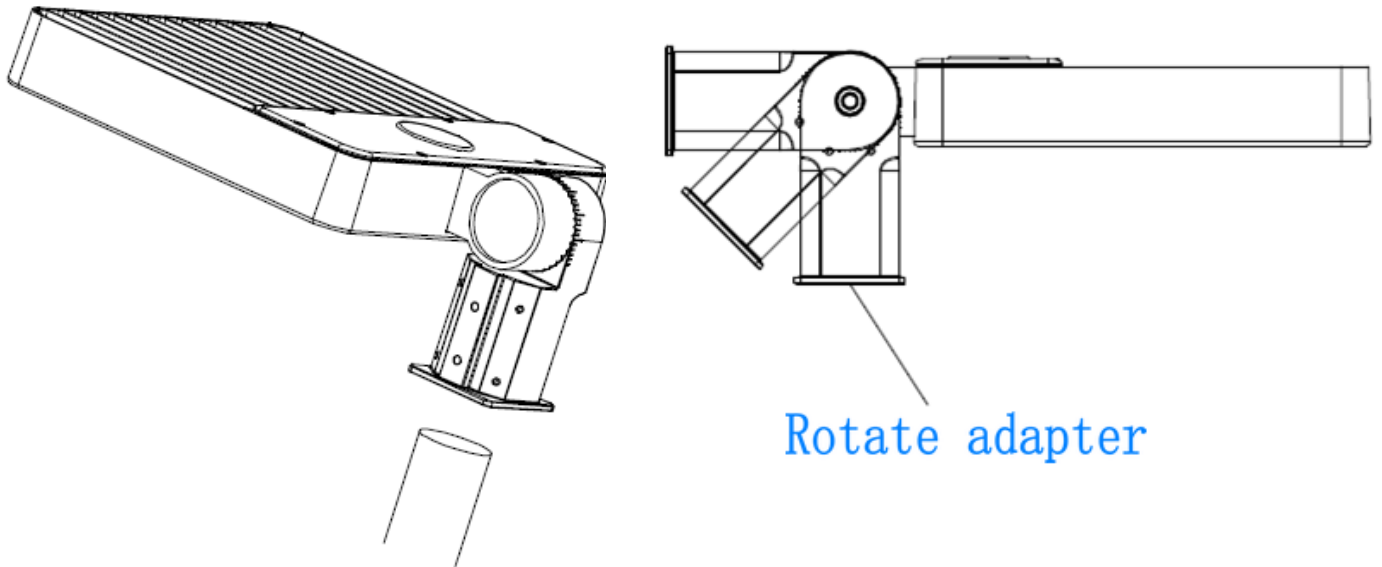




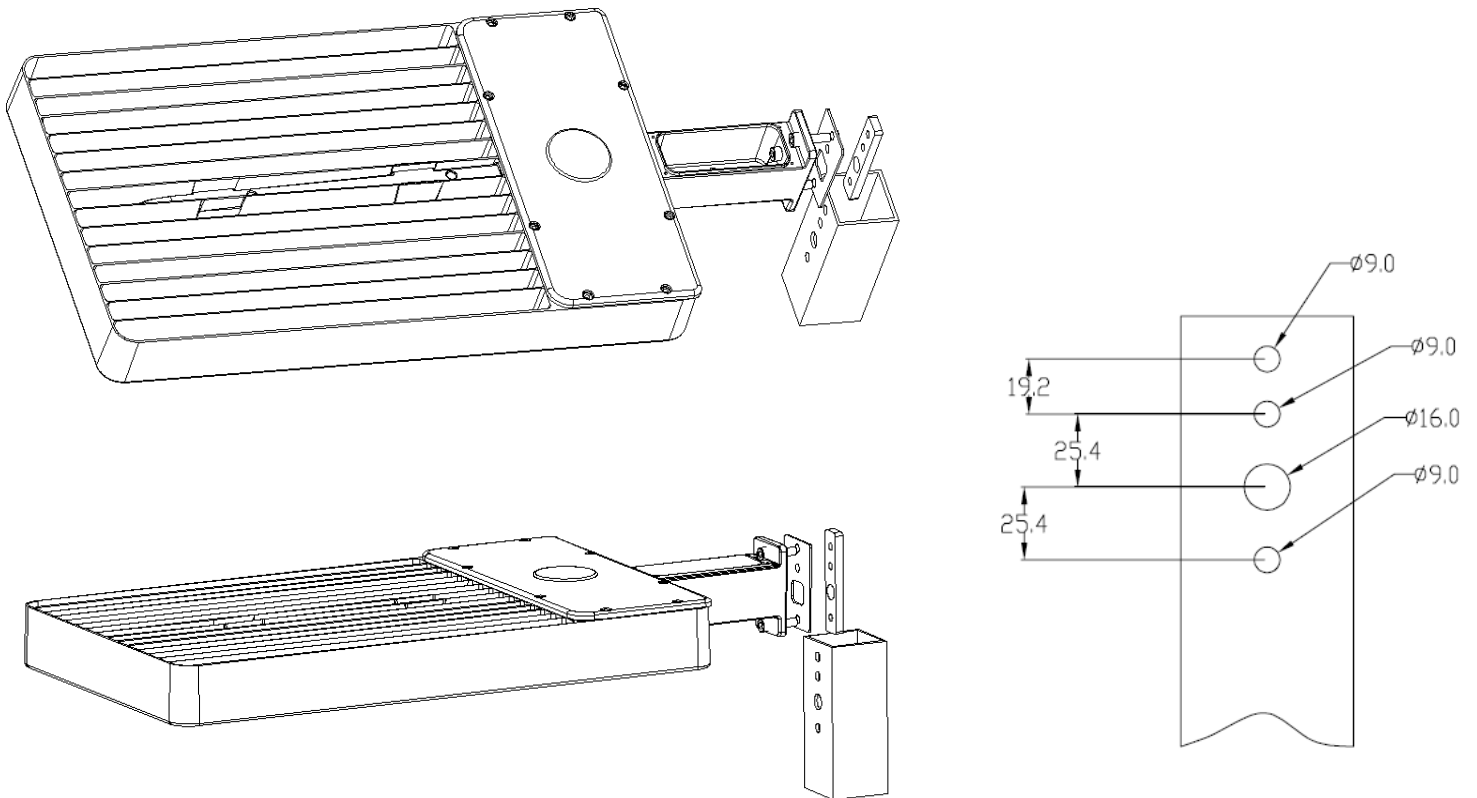
---

**V: Installation Instruction :**

**Type A Pole diameter:  $\Phi$  60MM**

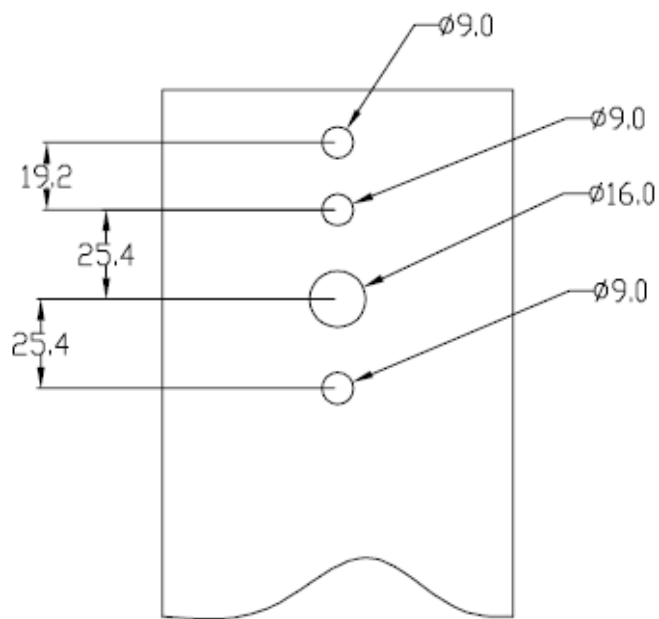
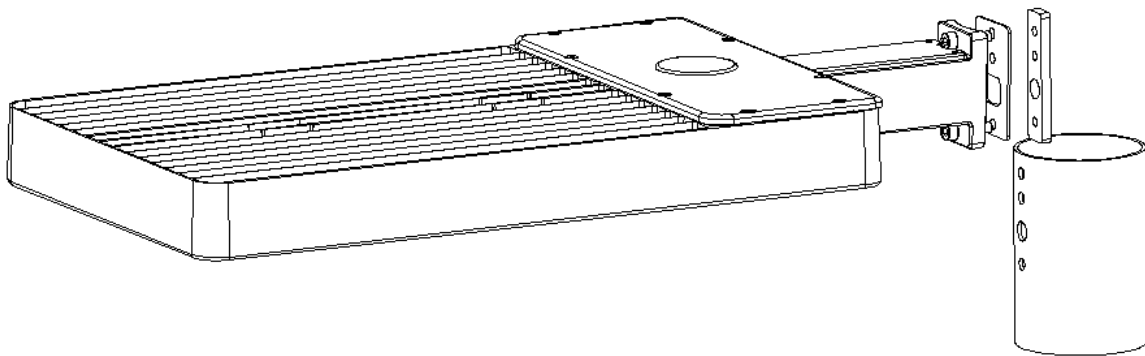
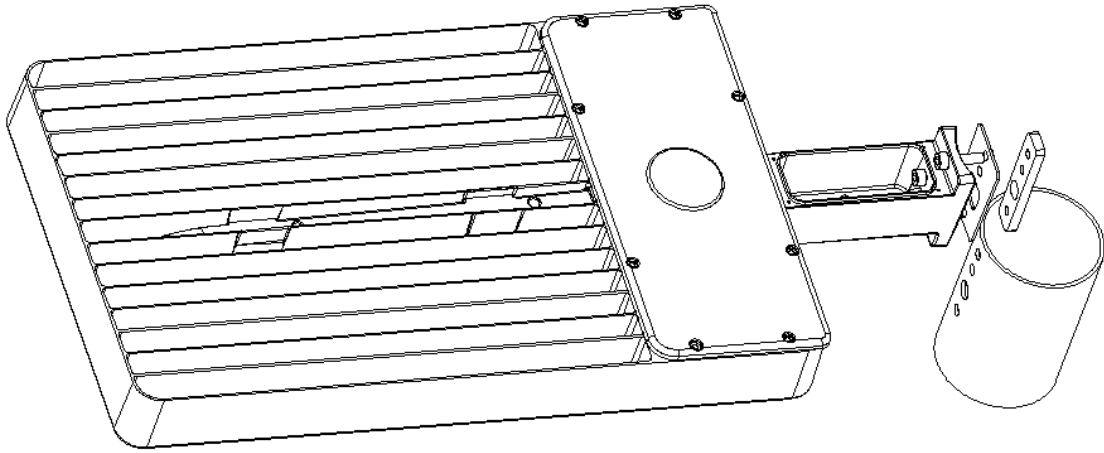


**Type B Rectangular Pole**

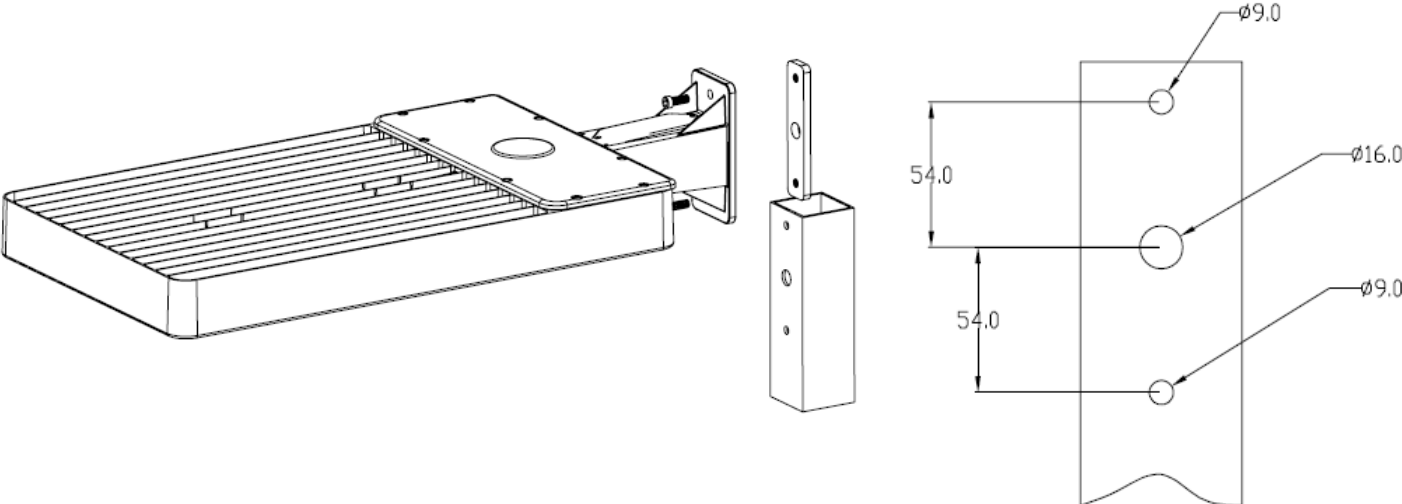


---

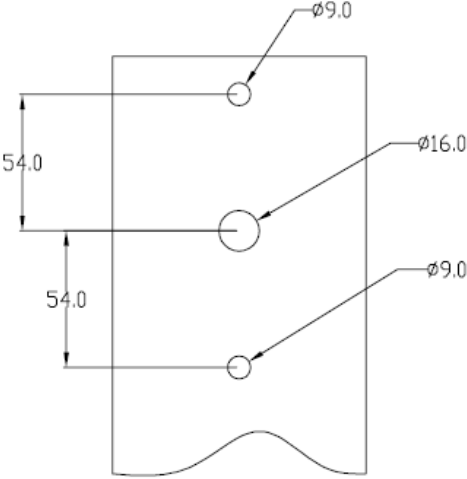
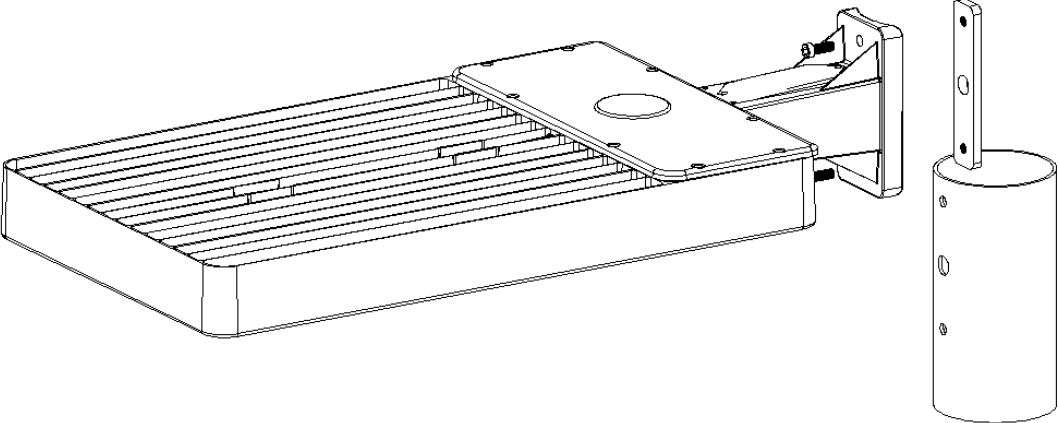
**Type C    Circular Pole  $\varnothing$  60MM-114MM**



**Type D Rectangular Pole**



**Type E Circular Pole  $\phi 60\text{MM}-114\text{MM}$**



---

## **VI. Installation Caution**

- 1、 Make sure the power has been turned off before maintenance.
  - 2、 Clean the lens cover regularly to maintain high transmission of light.
  - 3、 Clean up the dust from the reflector and heat sink regularly to keep sound heat dispersion.
  - 4、 Be careful not to use water or corrosive solution for cleaning, preferably with a dry cloth.
  - 5、 When install or replace power supply, directly open the back cover with a screwdriver, then remove the power supply. There are three-core cable of AC power, red corresponds to the power of “L”, blue to “N”, and green or yellow to “G”.
-